



 caple

wine cabinets
2015

design.living

design.living



The history of wine is said to go back around 10,000 years, when it was first produced in Georgia near the Caspian Sea. Since that time, wine has remained essentially the same – although it is now produced in over 70 countries and enjoyed worldwide.

Today's method of production is a far cry from those classical days. And now Caple are bringing the storage of wine bang up to date too, with a range of sophisticated wine cabinets that take the utmost care of your collection.

Contents

Key features	6
Storing both bottles and cans	12
Which cabinet is right for you	14
Sense range	16
Undercounter Cabinets	22
In-column Cabinets	32
Freestanding Cabinets	38
Classic range	40
Undercounter Cabinets	44
In-column Cabinets	52
Freestanding Cabinets	60
Our guarantees	67

wine cabinets

Built-under, in-column or freestanding;
from 7 bottles up to a massive 155 bottles capacity;
stainless steel, black glass or white glass;
the choice is yours.



The secret to a fine wine collection is to experiment. It's not just exciting, it can also find you some gems. Why not try 'off the map' wines from non-traditional wine producing areas? Once you've discovered one that tickles your palette your Caple wine cabinet will look after it perfectly.



Oenophile (wine lover) is not a word you hear much. But as a company that's passionate about all wines – from a full Sicilian Frappato, to a lively Spanish Albariño or a crisp Taittinger served at a perfect six degrees – we are happy for it to be applied to us.

That is why it comes naturally to our designers to create advanced, whisper-quiet wine cabinets that help you take care of your precious bottles. And which look fabulous in your home.

a perfect wine every time

What is a good wine? It's simple; one that you enjoy. Whether you buy from an auction, or a supermarket, your palette will always be the best judge. Whatever your favourites, to maintain the unique qualities of different wines you need to store them in a controlled environment – just as the winemaker does from the vineyard to the cellar.

The right temperature

To store

All wine should be stored at 12°C-14°C whether red or white. Our cabinets simulate cellar conditions – dark, still, humid and a constant temperature.

To serve

For rosés and whites it's 8°C-14°C. For sparkling wines it's 6°C-10°C. Full reds need 16°C-18°C, whereas lighter ones are best at 13°C-16°C. For some wine cabinets this temperature variation is a problem. However, Caple cabinets can offer multiple zones that keep all your wines at the perfect temperature for storing or better still, serving.



Wine is sensitive and reacts badly to fluctuating temperatures. Every Caple wine cabinet maintains the correct temperature around the clock – so your taste buds are never disappointed.




Compressor cooling means consistent quality

Many cabinets use thermo electric technology, which only cools your wine to 15°C below the room's ambient temperature. This means that on a warm day of 25°C the cabinet can only cool down to 10°C, leaving your wine at the mercy of fluctuating temperatures.

Caple wine cabinets use an innovative, quiet, compressor cooling system. This gives you absolute control of the temperature in the cabinet, whether it's a boiling summer's day or a freezing winter night. The result? Wines that retain all the complexity of taste you treasure.



Serving wine is an art in itself. Still wine should be poured slowly into the centre of the glass, while sparkling wine should be poured down the side. Don't be tempted to fill glasses to the brim. By serving two thirds full you allow room for your guests to swirl their wine and release its delicious aromas.



When air gets into a bottle it affects the taste of your wine. Bottles should always be stored on their side so the wine moistens the cork. This provides a tight air seal to keep in the heady flavours.

Our wine cabinets incorporate simple, yet effective design elements to make sure nothing spoils the enjoyment of your wine.



Do not disturb

The slightest vibration or change in humidity can affect a wine's taste. We use anti-vibration gaskets and low vibration compressors so the sediment balance is undisturbed. Taking care of the cork is important also, to prevent mould and odours. Our cabinets' ideal humidity of 65% or more keeps every cork in perfect condition.

Laying down

Ullage is the space between the cork and the wine. Hold your bottle upright. If the ullage starts at the upper shoulder then your wine will keep best if laid on its side. Caple wine cabinets provide you with ample shelving for bottles to be stored either on a single level so they are easy to remove, or stacked for longer storage.



Lighting for longevity

Ultraviolet light causes 'light strike', or premature wine ageing, so direct sunlight and fluorescent light need to be avoided. Our white LED lighting shows off your collection beautifully and is completely UV and heat free.

Your kitchen is far more than a food preparation area. It's the heart of your home; somewhere you spend precious time with family and friends. Our wine cabinets are stylish additions to this space – elegant, versatile and designed for the serious entertainer.

entertainment centre

Many of our wine cabinets let you do more than just store and chill wine. They look great whether stylish in-column or convenient under counter. Our extensive range also includes those with optional frosted glass shelf packs. These are designed to hold other drinks like beer, soft drinks or pre-mixed cans at a cool 3°C to 5°C.

For parties, you can chill anything from punch and cocktails to mixers and soft drinks. This gives you the added bonus of freeing up space in your fridge – always at a premium when entertaining.





Sometimes there's nothing more refreshing than a long, cool beer. Think hot summer barbecues with friends or after a hard day in the garden. With one of our wine cabinets sitting stylishly in your kitchen you can have a plentiful supply of perfectly chilled beer, cider or pre-mixed drinks.

Caple wine cabinets offer many advanced features and come in a range of styles to help you store and present your wine the way you want. Here are some things to consider before you make your choice.

spoilt for choice

A style of your own

How will it look with your existing appliances? Do you want it to stand out or blend in? Is your home classic or modern? Either way we have a wine cabinet to suit your style. Our Sense range provides subtle sophistication with its sleek black or crisp white glass styling. Or our Classic stainless steel collection feels fresh and contemporary.



Location, location, location

A Caple wine cabinet looks good wherever you put it – your kitchen, garage or even in an under stairs cupboard – although it's a shame to hide it away.

You can choose from a range of shapes and sizes to fit the space you have available. Do you want the streamlined look of a built-in undercounter model? The convenience of an in-column version? Or the flexibility of a movable, freestanding cabinet?

Undercounter for any kitchen

The majority of our undercounter wine cabinets are adjustable to suit various plinth heights ranging from 100mm-150mm, this means they are compatible with Continental kitchen furniture. A furniture infill panel (see image left) can be fitted above the wine cabinet to complete the look. The adjustability feature is not available on the Wi3118WH, Wi6128WH, Wi154 and Wi155.



Storage and capacity

The number of temperature zones you need depends on a number of factors. Do you buy red, white, rosé, sparkling or a mixture? How many bottles? Would you like to chill other drinks?

A dual zone model gives you more flexibility. It's useful if, for instance, you keep red and white wine at different serving temperatures, or white wine for both storage and serving.

Based on the straight sides and tall shoulders of Bordeaux style wine bottles, Caple wine cabinets come in a range of sizes. From a handy seven bottle version to an impressive 155 bottle cabinet if you are a serious collector.

sense range

Whatever space you have we can fill it beautifully.

Sophisticated and smart with an exclusive appeal. Smoked glass, UV/heat-free white LEDs and stainless steel handles make this range discreet and irresistible.





Every aspect of the design has been considered, none more so than the noise output, which has an impressively low maximum volume of 45dB(A).

Smartly combining black or white glass and stainless steel, Sense wine cabinets are the epitome of subtle style. Neatly built-in beneath your kitchen counter these sleek wine cabinets complement the clean lines of a modern kitchen.



Stainless steel plinth grille

Discreet yet stylish stainless steel grilles blend seamlessly with your kitchen, whilst providing the necessary ventilation to protect both your wine cabinet, and more importantly – your wine. Supplied with all Sense models except Wi154.

Sense wine cabinets offer you style and functionality in perfect balance. A range of smart features and even smarter looks makes these cabinets a tasteful addition to any home – in more ways than one.



Dark wooden, space-saver shelves

The easy-slide, dark wooden shelves are non-scratch so as not to damage bottle labels. Their slatted, design secures bottles in position and lets you overlap them to make the most of storage space (excluding Wi154).



Practical and neat recessed design

Sense undercounter wine cabinets have a recessed design that fits neatly behind a standard kitchen plinth (excluding Wi154).



Plinth grilles provide the finishing touch

Stylish, stainless steel, plinth grilles can be used with any Sense undercounter wine cabinet. They neatly cover the ventilation hole in the plinth and blend in with your kitchen décor. Supplied with all models except Wi154.

Optional glass shelves for extra versatility

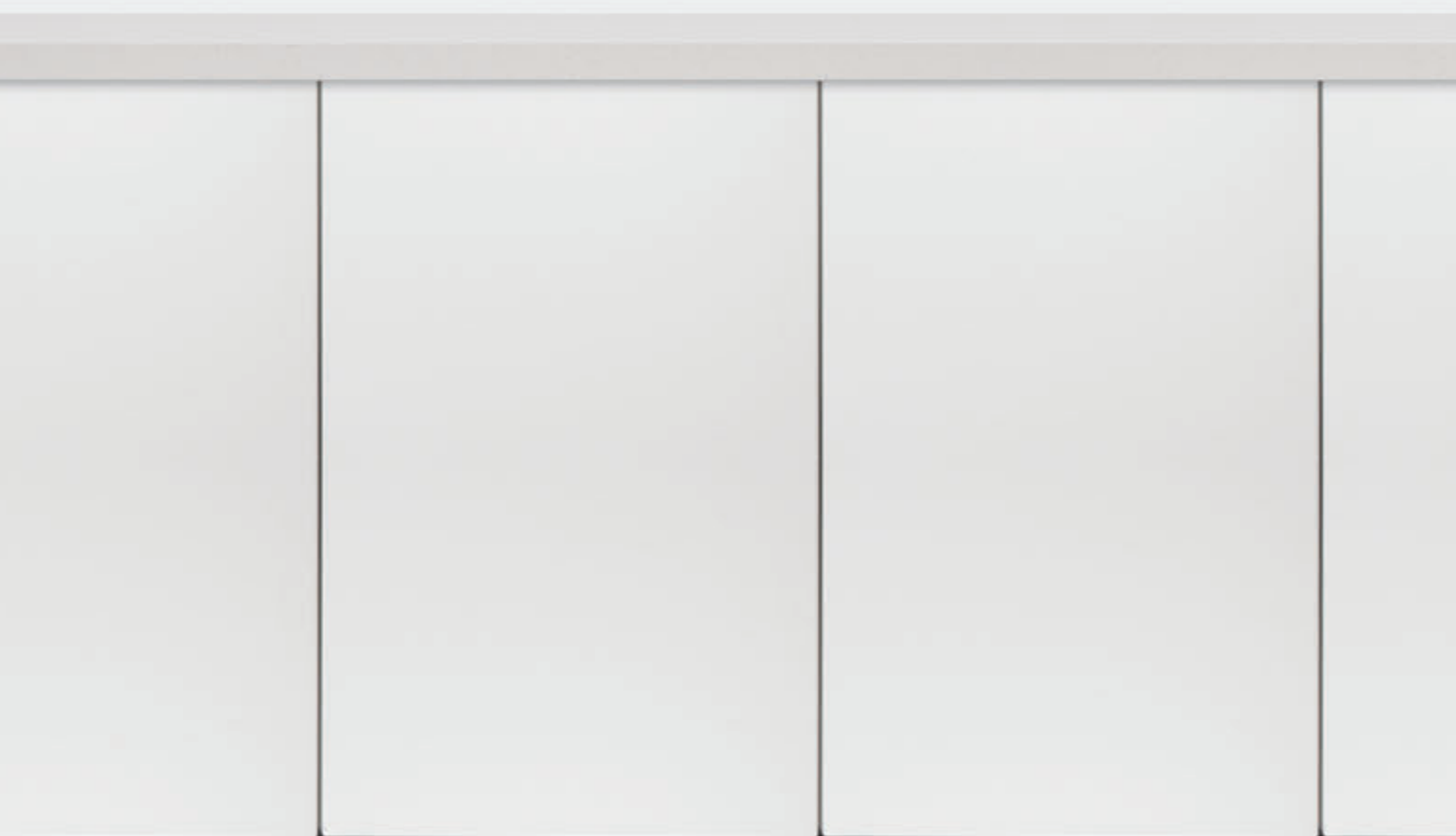
Prepare for parties by upgrading with a pack of three frosted glass shelves. These cleverly convert your cabinet to chill beer, soft drinks and pre-mixed drink cans. Available with selected wine cabinets.



LED display and electronic temperature control

All models are electronically controlled with an LED temperature display. Selected Sense wine cabinets allow you to choose a temperature from 3°C-18°C. Wine should be stored between 12°C-14°C, whilst the lower settings are ideal for chilling cans if you have an optional glass shelf pack.

sense undercounter cabinets





Sense Wi6229

Undercounter dual zone wine cabinet

W 595mm



Key Features

No frost compressor cooling technology maintains a consistent temperature

Dual side-by-side temperature zones, independently controlled (both zones suitable for either red or white wine)

Electronic temperature control and LED display

Temperature range 3°C-18°C (both zones)

Converts into a can chiller using 3°C setting and optional glass shelving

UV/heat-free white LED lighting (switchable)

100% CFC/HFC free

Stores max. 38 Bordeaux style wine bottles 750ml (19 bottles per zone)

Vibration free

Adjustable height to fit 100-150mm plinth

General features

Black glass doors with gloss black door frame

Fan circulated cool air for even temperature distribution

Quiet operation 43dB(A)

5 Sliding shelves and 1 base shelf per zone

Stainless steel, black-spot feature bar handles

Dark wooden shelves

Glass shelf pack available to convert either zone into a can chiller

Toughened UV protected glass

2 humidity control water tanks

Black cabinet interior and exterior

Recessed for fitting furniture plinth

Supplied with stainless steel universal plinth grille W 525mm

Performance

Energy class B

Energy consumption 195kWh/y

Ambient temperature 5°C-32°C

Humidity range >65%RH

Capacity

4.20 Cu ft/119 Litre total net capacity

4.73 Cu ft/134 Litre total gross capacity

Optional extras

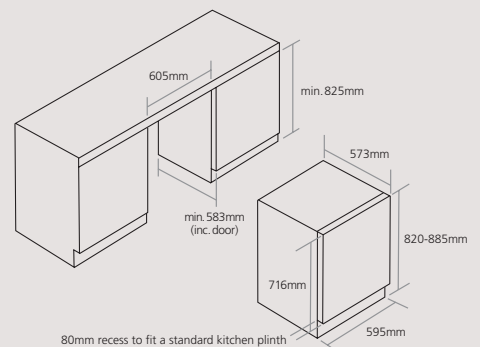
3 frosted glass shelves with black plastic trim GSHELFPACK/300

Full height stainless steel grille with fixing brackets GRILL/CLASS601

Undercounter installation

Recessed to fit a furniture plinth (shown above)

H 55mm vent slot required in plinth for air ventilation



Sense Wi6130

Undercounter dual zone wine cabinet

W 595mm

**Key Features**

No frost compressor cooling technology maintains a consistent temperature

Dual stacked temperature zones – independently controlled (upper zone white wine, lower zone red wine)

Electronic temperature control and LED display

Temperature range upper white zone 5°C-10°C, lower red zone 10°C-18°C

UV/heat-free white LED lighting (switchable)

100% CFC/HFC free

Stores max. 46 Bordeaux style wine bottles 750ml (16 white and 30 red bottles)

Vibration free

Adjustable height to fit 100-150mm plinth

General features

Black glass door with gloss black door frame
 Fan circulated cool air for even temperature distribution
 Heater raises internal temperature when external temperature drops
 Quiet operation 44dB(A)
 Reversible door
 White wine zone has 2 sliding shelves
 Red wine zone has 3 sliding shelves and 1 base shelf
 Stainless steel, black-spot feature bar handle
 Dark wooden shelves
 Toughened UV protected glass
 2 humidity control water tanks
 Black cabinet interior and exterior
 Recessed for fitting furniture plinth
 Supplied with stainless steel universal plinth grille W 525mm

Performance

Energy class B
 Energy consumption 198kWh/y
 Ambient temperature 5°C-32°C
 Humidity range >65%RH

Capacity

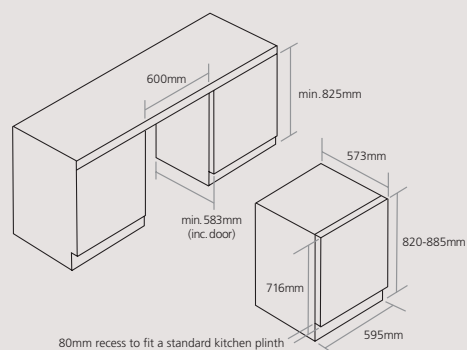
4.73 Cu ft/134 Litre total net capacity
 5.79 Cu ft/164 Litre total gross capacity

Optional extras

Full height stainless steel grille with fixing brackets GRILL/CLASS601

Undercounter installation

Recessed to fit a furniture plinth (shown above)
 H 55mm vent slot required in plinth for air ventilation



Sense Wi6128WH

Undercounter dual zone wine cabinet

W 595mm



Key Features

No frost compressor cooling technology maintains a consistent temperature

Dual stacked temperature zones – independently controlled (upper zone white wine, lower zone red wine)

Electronic temperature control and LED display

Temperature range upper white zone 5°C-10°C, lower red zone 10°C-18°C

UV/heat-free white LED lighting (switchable)

100% CFC/HFC free

Stores max. 46 Bordeaux style wine bottles 750ml (16 white and 30 red bottles)

Vibration free

General features

White glass door with gloss white door frame
Fan circulated cool air for even temperature distribution
Heater raises internal temperature when external temperature drops
Quiet operation 44dB(A)
Reversible door
White wine zone has 2 sliding shelves
Red wine zone has 3 sliding shelves and 1 base shelf
Stainless steel, black-spot feature bar handle
Stainless steel fronted beech shelves
Toughened UV protected glass
2 humidity control water tanks
Black cabinet interior and exterior
Recessed for fitting furniture plinth
Supplied with stainless steel universal plinth grille W 525mm

Performance

Energy class B
Energy consumption 198kWh/y
Ambient temperature 5°C-32°C
Humidity range >65%RH

Capacity

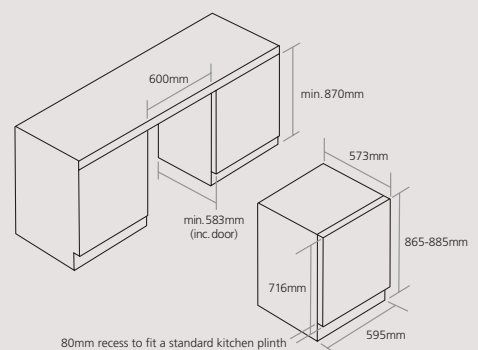
4.73 Cu ft/134 Litre total net capacity
5.79 Cu ft/164 Litre total gross capacity

Optional extras

Full height stainless steel grille with fixing brackets GRILL/CLASS600

Undercounter installation

Recessed to fit a furniture plinth (shown above)
H 55mm vent slot required in plinth for air ventilation



Sense Wi6119

Undercounter single zone wine cabinet

W 595mm



Key Features

No frost compressor cooling technology maintains a consistent temperature

Single temperature zone stores either red or white wine

Electronic temperature control and LED display

Temperature range 3°C-18°C

Converts into a can chiller using 3°C setting and optional glass shelving

UV/heat-free white LED lighting (switchable)

100% CFC/HFC free

Stores max. 46 Bordeaux style wine bottles 750ml (8 bottles per sliding shelf, 6 bottles per base shelf)

Vibration free

Adjustable height to fit 100-150mm plinth

General features

Black glass door with gloss black door frame

Fan circulated cool air for even temperature distribution

Quiet operation 44dB(A)

Reversible door

5 Sliding shelves and 1 base shelf

Stainless steel, black-spot feature bar handle

Dark wooden shelves

Glass shelf pack available to convert into a full or part can chiller

Toughened UV protected glass door

1 humidity control water tank

Black cabinet interior and exterior

Recessed for fitting furniture plinth

Supplied with stainless steel universal plinth grille W 525mm

Performance

Energy class B

Energy consumption 186kWh/y

Ambient temperature 5°C-32°C

Humidity range >65%RH

Capacity

5.15 Cu ft/146 Litre total net capacity

5.79 Cu ft/164 Litre total gross capacity

Optional extras

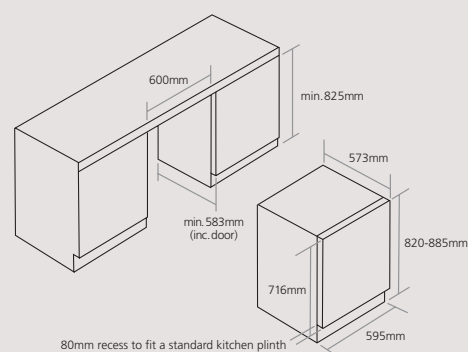
3 frosted glass shelves with black plastic trim GSHELFPAK/600

Full height stainless steel grille with fixing brackets GRILL/CLASS601

Undercounter installation

Recessed to fit a furniture plinth (shown above)

H 55mm vent slot required in plinth for air ventilation



Sense Wi3120

Undercounter single zone wine cabinet

W 295mm



Key Features

No frost compressor cooling technology maintains a consistent temperature

Single temperature zone stores either red or white wine

Electronic temperature control and LED display

Temperature range 3°C-18°C

Converts into a can chiller using 3°C setting and optional glass shelving

UV/heat-free white LED lighting (switchable)

100% CFC/HFC free

Stores max. 19 Bordeaux style wine bottles 750ml

Vibration free

Adjustable height to fit 100-150mm plinth

General features

Black glass door with gloss black door frame
 Fan circulated cool air for even temperature distribution
 Quiet operation 43dB(A)
 Reversible door
 5 Sliding shelves and 1 base shelf
 Stainless steel, black-spot feature bar handle
 Dark wooden shelves
 Glass shelf pack available to convert into a full or part can chiller
 Toughened UV protected glass door
 1 humidity control water tank
 Black cabinet interior and exterior
 Recessed for fitting furniture plinth
 Supplied with stainless steel universal plinth grille W 230mm

Performance

Energy class B
 Energy consumption 184kWh/y
 Ambient temperature 5°C-32°C
 Humidity range >65%RH

Capacity

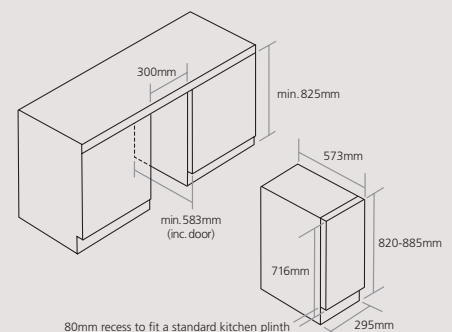
2.12 Cu ft/60 Litre total net capacity
 2.33 Cu ft/66 Litre total gross capacity

Optional extras

3 frosted glass shelves with black plastic trim GSHELFPACK/300
 Full height stainless steel grille with fixing brackets GRILL/CLASS301

Undercounter installation

Recessed to fit a furniture plinth (shown above)
 H 75mm vent slot required in plinth for air ventilation



Sense Wi3118WH

Undercounter single zone wine cabinet

W 295mm



Key Features

No frost compressor cooling technology maintains a consistent temperature

Single temperature zone stores either red or white wine

Electronic temperature control and LED display

Temperature range 3°C-18°C

Converts into a can chiller using 3°C setting and optional glass shelving

UV/heat-free white LED lighting (switchable)

100% CFC/HFC free

Stores max. 19 Bordeaux style wine bottles 750ml

Vibration free

General features

White glass door with gloss white door frame

Fan circulated cool air for even temperature distribution

Quiet operation 43dB(A)

Reversible door

5 Sliding shelves and 1 base shelf

Stainless steel, black-spot feature bar handle

Stainless steel fronted beech shelves

Glass shelf pack available to convert into a full or part can chiller

Toughened UV protected glass door

1 humidity control water tank

Black cabinet interior and exterior

Recessed for fitting furniture plinth

Supplied with stainless steel universal plinth grille W 230mm

Performance

Energy class B

Energy consumption 184kWh/y

Ambient temperature 5°C-32°C

Humidity range >65%RH

Capacity

2.12 Cu ft/60 Litre total net capacity

2.33 Cu ft/66 Litre total gross capacity

Optional extras

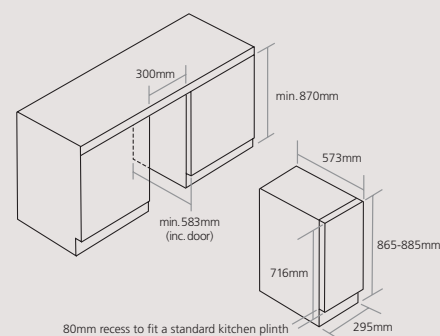
3 frosted glass shelves with black plastic trim GSHELFPAK/300

Full height stainless steel grille with fixing brackets GRILL/CLASS300

Undercounter installation

Recessed to fit a furniture plinth (shown above)

H 75mm vent slot required in plinth for air ventilation



Sense Wi154

Undercounter single zone wine cabinet

W 145mm



Key Features

No frost compressor cooling technology maintains a consistent temperature

Single temperature zone stores either red or white wine

Electronic temperature control and LED display

Temperature range 5°C-18°C

UV/heat-free white LED lighting (switchable)

100% CFC/HFC free

Stores max. 7 Bordeaux style wine bottles 750ml

Not suitable for some champagne bottles

Vibration free

General features

- Black glass door with gloss black door frame
- Fan circulated cool air for even temperature distribution
- Air ventilation through black plinth grille
- Quiet operation 44dB(A)
- Reversible door
- Stainless steel, black-spot feature bar handle
- 6 Black wire shelves and 1 base shelf
- Toughened UV protected glass door
- Black cabinet interior and exterior

Performance

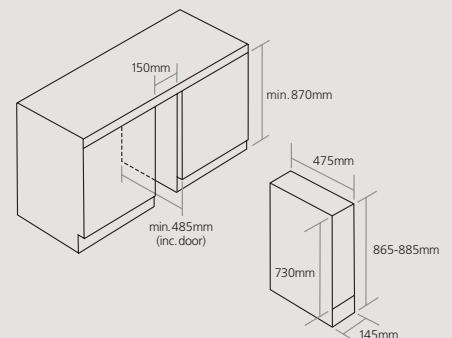
- Energy class B
- Energy consumption 155kwh/y
- Ambient temperature 5°C-32°C
- Humidity range >65%RH

Capacity

- 0.67 Cu ft/19 Litre total net capacity
- 0.78 Cu ft/22 Litre total gross capacity

Undercounter installation

Black grille for air ventilation







sense in-column cabinets



Sense WC6216

In-column dual zone wine cabinet

H 885mm



Key Features

No frost compressor cooling technology maintains a consistent temperature

Dual stacked temperature zones – independently controlled (upper zone white wine, lower zone red wine)

Temperature range upper white zone 5°C-10°C, lower red zone 10°C-18°C

Electronic temperature control and LCD display

Heater raises internal temperature when external temperature drops

UV/heat-free white LED lighting (switchable)

100% CFC/HFC free

Stores max. 42 Bordeaux style wine bottles 750ml (18 white bottles on upper zone, and 24 red bottles on lower zone)

Vibration free

Audible door alarm when left open

Features

- Black glass door with gloss black door frame
- Fan circulated cool air for even temperature distribution
- Quiet operation 45dB(A)
- Reversible door
- 2 Humidity control water tanks
- White wine zone has 3 sliding shelves
- Red wine zone has 3 sliding shelves and 1 base shelf
- Stainless steel, black-spot feature bar handle
- Dark wooden shelves
- Toughened UV protected glass door
- Black cabinet interior and exterior

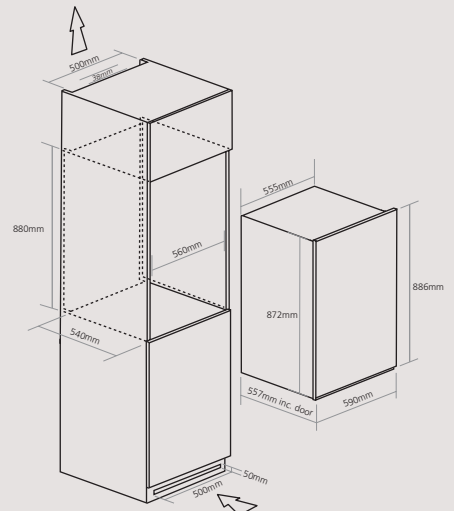
Performance

- Energy class B
- Energy consumption 196kWh/y
- Ambient temperature 5°C-32°C
- Humidity range >65%RH

Capacity

- 4.13 Cu ft/117.1 Litre total net capacity
- 4.94 Cu ft/140 Litre total gross capacity

In-column installation



Sense WC6112

In-column single zone wine cabinet

H 455mm



Key Features

- No frost compressor cooling technology maintains a consistent temperature
- Single temperature zone for red or white wine
- Electronic temperature control and LCD display
- Temperature range 4°C-18°C
- UV/heat-free white LED lighting (switchable)
- 100% CFC/HFC free
- Stores max. 22 Bordeaux style wine bottles 750ml
- Vibration free
- Audible door alarm when left open

General features

- Black glass door with gloss black door frame
- Fan circulated cool air for even temperature distribution
- Quiet operation 42dB(A)
- Reversible door
- 1 humidity control water tank
- 3 sliding shelves and 1 base shelf
- Stainless steel, black-spot feature bar handle
- Dark wooden shelves
- Toughened UV protected glass door
- Black cabinet interior and exterior

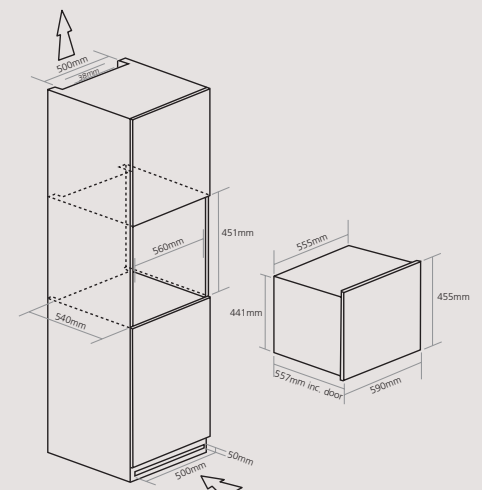
Performance

- Energy class B
- Energy consumption 187kWh/y
- Ambient temperature 5°C-32°C
- Humidity range >65%RH

Capacity

- 1.91 Cu ft/54 Litre total net capacity
- 2.08 Cu ft/59 Litre total gross capacity

In-column installation





sense freestanding cabinets



Sense WF1547

Freestanding triple zone wine cabinet

H 1762mm



Key Features

- No frost compressor cooling technology maintains a consistent temperature
- Triple stacked temperature zones for red, white or sparkling wine, independently controlled:
 - Upper zone temperature range 5°C-18°C
 - Middle zone temperature range 5°C-12°C
 - Lower zone temperature range 12°C-18°C
- UV/heat-free white LED lighting (switchable)
- Electronic temperature control and LED display
- 2 Heaters raise internal temperature when external temperature drops
- 100% CFC/HFC free
- Stores max. 132 Bordeaux style wine bottles 750ml (43 bottles on upper zone, 45 bottles on middle zone and 44 bottles on lower zone)
- Vibration free

<p>Features</p> <ul style="list-style-type: none"> Black glass door with gloss black door frame Fan circulated cool air for even temperature distribution Air ventilation through black plinth grille Quiet operation 45dB(A) 3 Humidity control water tanks Reversible door Door lock Upper zone has 1 sliding shelf and 1 display shelf Middle zone has 2 sliding shelves and 1 display shelf Lower zone has 3 sliding shelves and 1 base shelf Stainless steel, black-spot feature bar handle Telescopic dark wooden shelves Toughened UV protected glass door Black cabinet interior and exterior 	<p>Performance</p> <ul style="list-style-type: none"> Energy class D Energy consumption 329kWh/y Ambient temperature 5°C-32°C Humidity range >65%RH <p>Capacity</p> <ul style="list-style-type: none"> 14.23Cu ft/404 Litre total net capacity 15.86 Cu ft/449 Litre total gross capacity 	<p>Freestanding installation</p> <p>Can be moved from room to room as required</p> <p>Black plinth for air ventilation</p>
--	--	---



Power Light Run 14 °C Upper 12 °C Middle Set Upper Set Middle





classic range

A modern, stylish addition – as discreet or bold as you wish.

Looking for a clean, contemporary finish? This range features a blend of stainless steel and glass, combining beautifully with natural beech wood shelves. Match the cabinet of your choice with other stainless steel appliances for a sleek, hi-tech theme.



With an array of practical features to complement their exceptional looks, our stainless steel models offer all you could want in a wine cabinet.



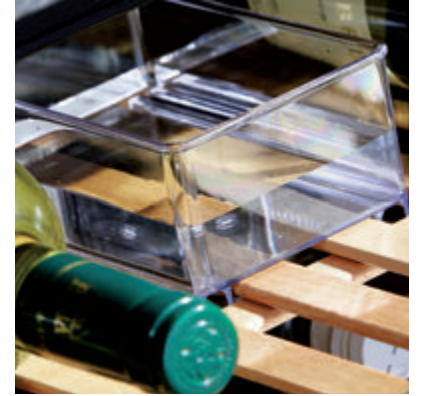
Temperature control and LED display

Our Stainless Steel range allows you to set the temperature from 5°C-18°C, depending on the model. Temperature is controlled electronically within most models (for accuracy and consistency), so you can change it to match your wine. An LED panel gives you at-a-glance views of current and set temperatures.



Space-saving beech shelves

The easy-slide, removable beech shelves are non-scratch so as not to damage bottle labels. Their slatted design secures bottles in position and lets you overlap them efficiently to make the most of storage space (excluding Wi155).



Increased control with a humidity water tank

A humidity controlling water tank on the top shelf of each zone lets you increase humidity if required.



Stainless steel plinth provides the finishing touch

Apart from the Wi155, all classic undercounter wine cabinets come with both a stainless steel adjustable plinth grille (top image) and a stainless steel recessed inset plinth grille.



Display shelves present your wine

Our large freestanding cabinets feature sturdy pull-out shelves on telescopic rails so you can easily see the labels.



Peace of mind with door locks

A wine collection is a precious thing. Our largest freestanding models are fitted with a door lock for peace of mind that your wine is safe and out of the reach of children.

Our elegant range of stainless steel wine cabinets features undercounter, in-column and freestanding designs. There's bound to be one to suit your space.

classic undercounter cabinets





Wi6228

Undercounter dual zone wine cabinet

W 595mm



Key Features

- No frost compressor cooling technology maintains a consistent temperature
- Dual side-by-side temperature zones for red or white wine, independently controlled
- Electronic temperature control and LED display
- Temperature range 5°C-18°C (both zones)
- Converts into can chiller using 5°C setting and optional glass shelving
- UV/heat-free white LED lighting (switchable)
- 100% CFC/HFC free
- Stores max. 38 Bordeaux style wine bottles 750ml (19 bottles per zone)
- Vibration free
- Adjustable height to fit 100-150mm plinth



Stainless steel recessed plinth grille

General features

- One piece stainless steel doors
- Fan circulated cool air for even temperature distribution
- Air ventilation through height adjustable full height stainless steel grille or recessed stainless steel inset plinth grille
- Quiet operation 43dB(A)
- 2 Humidity control water tanks
- 5 Sliding shelves and 1 base shelf per zone
- Curved stainless steel handles
- Glass shelf pack available to convert either zone into a can chiller
- Stainless steel fronted beech shelves
- Toughened UV protected glass door
- Black cabinet interior and exterior

Performance

- Energy class B
- Energy consumption 195kWh/y
- Ambient temperature 5°C-32°C
- Humidity range >65%RH

Capacity

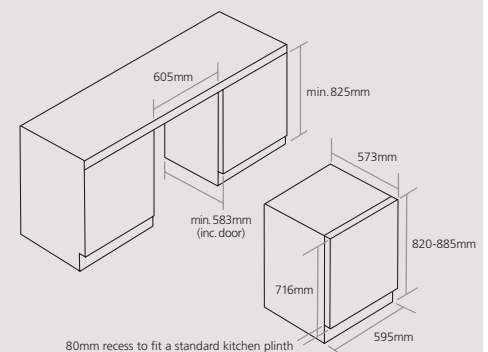
- 4.20 Cu ft/119 Litre total net capacity
- 4.73 Cu ft/134 Litre total gross capacity

Optional extras

- 3 frosted glass shelves with black plastic trim GSHELFPACK/300

Undercounter installation

Stainless steel plinth for air ventilation



Wi6129

Undercounter dual zone wine cabinet

W 595mm

**Key Features**

No frost compressor cooling technology maintains a consistent temperature

Dual stacked temperature zones (1 for red and 1 for white wine), independently controlled

Temperature range white zone 5°C-10°C, red zone 10°C-18°C

Fan circulated cool air for even temperature distribution

Electronic temperature control and LED display

UV/heat-free white LED lighting (switchable)

100% CFC/HFC free

Stores max. 46 Bordeaux style wine bottles 750ml (16 white bottles on upper shelves and 30 red bottles on lower shelves)

Vibration free

Adjustable height to fit 100-150mm plinth



Stainless steel recessed plinth grille

Features

One piece stainless steel door
 Heater raises internal temperature when external temperature drops
 Air ventilation through height adjustable full height stainless steel grille or recessed stainless steel inset plinth grille
 Quiet operation 44dB(A)
 Reversible door
 2 Humidity control water tanks
 White wine zone has 2 sliding shelves
 Red wine zone has 3 sliding shelves and 1 base shelf
 Curved stainless steel handle
 Stainless steel fronted beech shelves
 Toughened UV protected glass door
 Black cabinet interior and exterior

Performance

Energy class B
 Energy consumption 198kWh/y
 Ambient temperature 5°C-32°C
 Humidity range >65%RH

Capacity

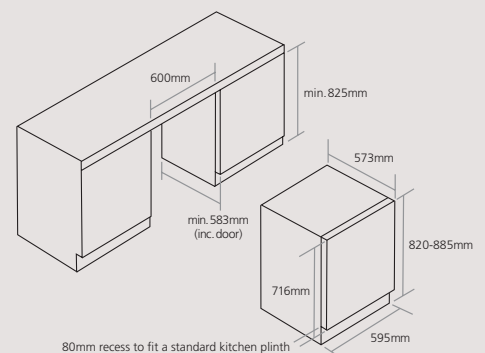
4.73Cu ft/134 Litre total net capacity
 5.79 Cu ft/164 Litre total gross capacity

Optional extras

3 frosted glass shelves with black plastic trim GSHELFPAK/600

Undercounter installation

Stainless steel plinth for air ventilation



Wi6118

Undercounter single zone wine cabinet

W 595mm



Key Features

No frost compressor cooling technology maintains a consistent temperature

Single temperature zone stores either red or white wine

Electronic temperature control and LED display

Temperature range 5°C-18°C

Converts into can chiller using 5°C setting and optional glass shelving

UV/heat-free white LED lighting (switchable)

100% CFC/HFC free

Stores max. 46 Bordeaux style wine bottles 750ml (8 bottles per sliding shelf, 6 bottles per base shelf)

Vibration free

Adjustable height to fit 100-150mm plinth



Stainless steel recessed plinth grille

Features

- One piece stainless steel door
- Fan circulated cool air for even temperature distribution
- Air ventilation through height adjustable full height stainless steel grille or recessed stainless steel inset plinth grille
- Quiet operation 44dB(A)
- Reversible door
- 1 Humidity control water tank
- 5 Sliding shelves and 1 base shelf
- Curved stainless steel handle
- Glass shelf pack available to convert into a full or part can chiller
- Stainless steel fronted beech shelves
- Toughened UV protected glass door
- Black cabinet interior and exterior

Performance

- Energy class B
- Energy consumption 186kWh/y
- Ambient temperature 5°C-32°C
- Humidity range >65%RH

Capacity

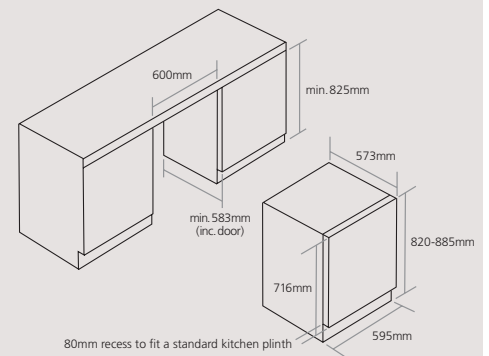
- 5.15 Cu ft/146 Litre total net capacity
- 5.79 Cu ft/164 Litre total gross capacity

Optional extras

- 3 frosted glass shelves with black plastic trim GSHELFPACK/600

Undercounter installation

Stainless steel plinth for air ventilation



Wi3119

Undercounter single zone wine cabinet

W 295mm

**Key Features**

- No frost compressor cooling technology maintains a consistent temperature
- Single temperature zone for red or white wine
- Electronic temperature control and LED display
- Temperature range 5°C-18°C
- Converts into can chiller using 5°C setting and optional glass shelving
- UV/heat-free white LED lighting (switchable)
- 100% CFC/HFC free
- Stores max. 19 Bordeaux style wine bottles 750ml
- Vibration free
- Adjustable height to fit 100-150mm plinth



Stainless steel recessed plinth grille

Features

- One piece stainless steel door
- Fan circulated cool air for even temperature distribution
- Air ventilation through height adjustable full height stainless steel grille or recessed stainless steel inset plinth grille
- Quiet operation 43dB(A)
- Reversible door
- 1 Humidity control water tank
- 5 Sliding shelves and 1 base shelf
- Curved stainless steel handle
- Stainless steel fronted beech shelves
- Glass shelf pack available to convert into a full or part can chiller
- Toughened UV protected glass door
- Black cabinet interior and exterior

Performance

- Energy class B
- Energy consumption 184kWh/y
- Ambient temperature 5°C-32°C
- Humidity range >65%RH

Capacity

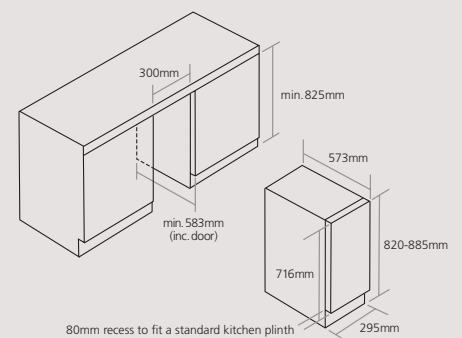
- 2.12 Cu ft/60 Litre total net capacity
- 2.33 Cu ft/66 Litre total gross capacity

Optional extras

- 3 frosted glass shelves with black plastic trim GSHELFPAK/300

Undercounter installation

Stainless steel plinth for air ventilation



Wi155

Undercounter single zone wine cabinet

W 145mm



Key Features

- No frost compressor cooling technology maintains a consistent temperature
- Single temperature zone for red or white wine
- Electronic temperature control and LED display
- Temperature range 5°C-18°C
- UV/heat-free white LED lighting (switchable)
- 100% CFC/HFC free
- Stores max. 7 Bordeaux style wine bottles 750ml
- Not suitable for some champagne bottles
- Vibration free

Features

- One piece stainless steel door frame
- Fan circulated cool air for even temperature distribution
- Air ventilation through stainless steel plinth grille
- Quiet operation 44dB(A)
- Reversible door
- Curved stainless steel handle
- 6 Black wire shelves and 1 base shelf
- Toughened UV protected glass door
- Black cabinet interior and exterior

Performance

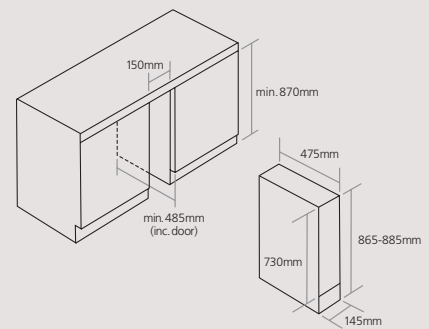
- Energy class B
- Energy consumption 155kwh/y
- Ambient temperature 5°C-32°C
- Humidity range >65%RH

Capacity

- 0.67 Cu ft/19 Litre total net capacity
- 0.78 Cu ft/22 Litre total gross capacity

Undercounter installation

Stainless steel plinth for air ventilation





classic in-column cabinets





WC177 features a stainless steel and glass fronted door making it the perfect place to store and showcase your collection. With three temperature zones, 89 Bordeaux style bottle capacity and two display shelves the WC177 is wine storage at it's best.



Cooling centre

The WC177 is specially designed to pair with Caple's integrated in-column refrigeration. Make a bold style statement and add matching stainless steel doors on the integrated refrigeration to go either side of the wine cabinet. Or opt for a more discrete aesthetic with understated furniture doors ensuring the WC177 and your collection are truly centre stage. Either way this cooling hub is a must-have addition to modern living.



Interior design

The considered design of the rear stainless steel panel adds a unique touch of style.



Base shelf

The innovative base design has strategically placed indents for Bordeaux style wine bottles, allowing you to store more wine and utilise the space effectively.



Display shelves

Pull-out shelves on telescopic rails at just the right angle, making it easy to find the bottle you're after. The upper zone also features a double stacking height shelf providing enough room to stack one bottle on top of another.

WC177

In-column triple zone wine cabinet

H 1788mm



Key Features

No frost compressor cooling technology maintains a consistent temperature

Triple stacked temperature zones for red, white or sparkling wine, independently controlled:

Upper zone temperature range 5°C-18°C

Middle zone temperature range 5°C-10°C

Lower zone temperature range 10°C-18°C

Electronic temperature control and LED display

2 Heaters raise internal temperature when external temperature drops

UV/heat-free white LED lighting (switchable)

100% CFC/HFC free

Stores max. 89 Bordeaux style wine bottles 750ml (29 bottles on upper zone, 25 bottles on middle zone and 35 bottles on lower zone)

Vibration free

High temperature alarm

Features

One piece stainless steel door

Fan circulated cool air for even temperature distribution

Quiet operation 42dB(A)

Reversible door

3 Humidity control water tanks

Upper zone has 2 sliding shelves and 1 display shelf, middle zone has 3 sliding shelves and 1 display shelf, lower zone has 3 sliding shelves and 1 base shelf

Curved stainless steel handle

Stainless steel fronted telescopic beech shelves

Supplied with stainless steel universal plinth grille W 525mm

Toughened UV protected glass door

Black cabinet interior with stainless steel back panel

Performance

Energy class C

Energy consumption 273kWh/y

Ambient temperature 5°C-32°C

Humidity range >65%RH

Capacity

8.69 Cu ft/246 Litre total net capacity

10.14 Cu ft/287 Litre total gross capacity

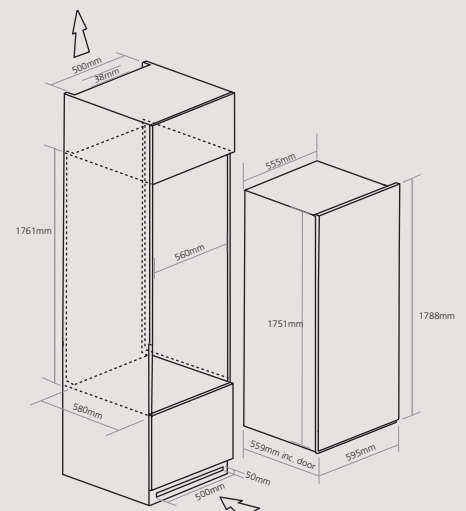
Optional extras

Stainless steel furniture which can be used with Caple refrigeration models RiL179, RiR179 and RiF179.

Dimensions: 1788 x 595 x 20mm
SSDOOR177

Curved stainless steel handle to match WC177 HANDLE4

In-column installation



WC6215

In-column dual zone wine cabinet

H 885mm

**Key Features**

No frost compressor cooling technology maintains a consistent temperature

Dual stacked temperature zones – independently controlled (upper zone white wine, lower zone red wine)

Electronic temperature control and LCD display

Heater raises internal temperature when external temperature drops

UV/heat-free white LED lighting (switchable)

Temperature range white zone 5°C-10°C, red zone 10°C-18°C

100% CFC/HFC free

Stores max. 42 Bordeaux style wine bottles 750ml (18 white bottles on upper zone, and 24 red bottles on lower zone)

Vibration free

Audible door alarm when left open

Features

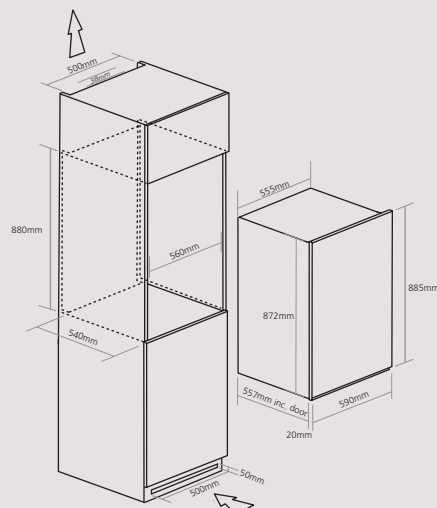
One piece stainless steel door
 Fan circulated cool air for even temperature distribution
 Quiet operation 45dB(A)
 Reversible door
 2 Humidity control water tanks
 White wine zone has 3 sliding shelves
 Red wine zone has 3 sliding shelves and 1 base shelf
 Curved stainless steel handle
 Stainless steel fronted beech shelves
 Toughened UV protected glass door
 Black cabinet interior and exterior

Performance

Energy class B
 Energy consumption 196kWh/y
 Ambient temperature 5°C-32°C
 Humidity range >65%RH

Capacity

4.13 Cu ft/117 Litre total net capacity
 4.94 Cu ft/140 Litre total gross capacity

In-column installation

WC6115

In-column single zone wine cabinet

H 885mm



Key Features

- No frost compressor cooling technology maintains a consistent temperature
- Single temperature zone stores either red or white wine
- Electronic temperature control and LCD display
- Temperature range 4°C-18°C
- UV/heat-free white LED lighting (switchable)
- 100% CFC/HFC free
- Stores max. 46 Bordeaux style wine bottles 750ml
- Vibration free
- Audible door alarm when left open

<p>Features</p> <ul style="list-style-type: none"> One piece stainless steel door Fan circulated cool air for even temperature distribution Quiet operation 45dB(A) Reversible door 1 humidity control water tank 7 sliding shelves and 1 base shelf Curved stainless steel handle Stainless steel fronted beech shelves Toughened UV protected glass door Black cabinet interior and exterior 	<p>Performance</p> <ul style="list-style-type: none"> Energy class B Energy consumption 156kWh/y Ambient temperature 5°C-32°C Humidity range >65%RH <p>Capacity</p> <ul style="list-style-type: none"> 4.38 Cu ft/124 Litre total net capacity 5.41 Cu ft/153 Litre total gross capacity 	<p>In-column installation</p>
---	---	--------------------------------------

WC6111

In-column single zone wine cabinet

H 455mm

**Key Features**

No frost compressor cooling technology maintains a consistent temperature

Single temperature zone stores either red or white wine

Electronic temperature control and LCD display

Temperature range 4°C-18°C

UV/heat-free white LED lighting (switchable)

100% CFC/HFC free

Stores max. 22 Bordeaux style wine bottles 750ml

Vibration free

Audible door alarm when left open

Features

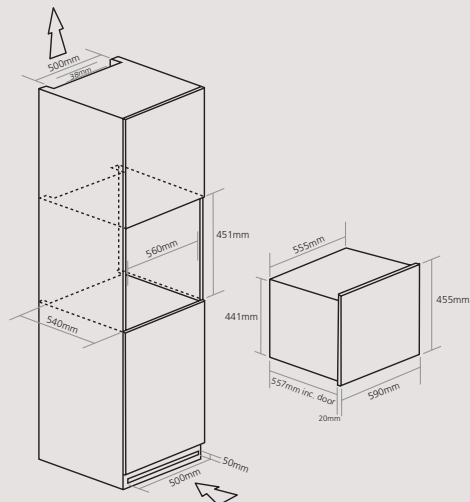
One piece stainless steel door
 Fan circulated cool air for even temperature distribution
 Quiet operation 42dB(A)
 Reversible door
 1 humidity control water tank
 3 sliding shelves and 1 base shelf
 Curved stainless steel handle
 Stainless steel fronted beech shelves
 Toughened UV protected glass door
 Black cabinet interior and exterior

Performance

Energy class B
 Energy consumption 187kWh/y
 Ambient temperature 5°C-32°C
 Humidity range >65%RH

Capacity

1.91 Cu ft/54 Litre total net capacity
 2.08 Cu ft/59 Litre total gross capacity

In-column installation



classic freestanding cabinets



WF1546

Freestanding triple zone wine cabinet

H 1765mm

**Key Features**

No frost compressor cooling technology maintains a consistent temperature

Triple stacked temperature zones for red, white or sparkling wine, independently controlled:
 Upper zone temperature range 5°C-18°C
 Middle zone temperature range 5°C-12°C
 Lower zone temperature range 12°C-18°C

UV/heat-free white LED lighting (switchable)

Electronic temperature control and LED display

2 Heaters raise internal temperature when external temperature drops

100% CFC/HFC free

Stores max. 132 Bordeaux style wine bottles 750ml (43 bottles on upper zone, 45 bottles on middle zone and 44 bottles on lower zone)

Vibration free

Features

One piece stainless steel door
 Fan circulated cool air for even temperature distribution
 Air ventilation through stainless steel plinth grille
 Quiet operation 45dB(A)
 3 Humidity control water tanks
 Reversible door
 Door lock
 Upper zone has 1 sliding shelf and 1 display shelf
 Middle zone has 2 sliding shelves and 1 display shelf
 Lower zone has 3 sliding shelves and 1 base shelf
 Stainless steel fronted telescopic beech shelves
 Curved stainless steel handle
 Toughened UV protected glass door
 Black cabinet interior and exterior

Performance

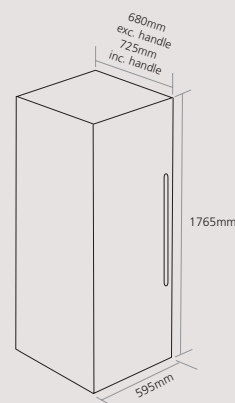
Energy class D
 Energy consumption 329kWh/y
 Ambient temperature 5°C-32°C
 Humidity range >65%RH

Capacity

14.23 Cu ft/404 Litre total net capacity
 15.86 Cu ft/449 Litre total gross capacity

Freestanding installation

Can be moved from room to room as required
 Stainless steel plinth for air ventilation



WF1544

Freestanding single zone wine cabinet

H 1765mm

**Key Features**

- No frost compressor cooling technology maintains a consistent temperature
- Single temperature zone for red or white wine
- Temperature range 5°C-18°C
- Electronic temperature control and LED display
- Heater raises internal temperature when external temperature drops
- UV/heat-free white LED lighting (switchable)
- 100% CFC/HFC free
- Stores max. 155 Bordeaux style wine bottles 750ml
- Vibration free

Features

- One piece stainless steel door
- Fan circulated cool air for even temperature distribution
- Air ventilation through stainless steel plinth grille
- Quiet operation 45dB(A)
- 1 Humidity control water tank
- Reversible door
- Door lock
- 11 Sliding shelves, 1 display shelf and 1 base shelf
- Stainless steel fronted telescopic beech shelves
- Curved stainless steel handle
- Toughened UV protected glass door
- Black cabinet interior and exterior

Performance

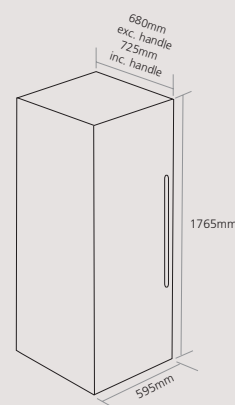
- Energy class D
- Energy consumption 337kWh/y
- Ambient temperature 5°C-32°C
- Humidity range >65%RH

Capacity

- 15.04 Cu ft/426 Litre total net capacity
- 16.70 Cu ft/473 Litre total gross capacity

Freestanding installation

- Can be moved from room to room as required
- Stainless steel plinth for air ventilation



WF1104

Freestanding dual zone wine cabinet

H 1395mm



Key Features

- No frost compressor cooling technology maintains a consistent temperature
- Dual stacked temperature zones for red or white wine, independently controlled
- Both zones, temperature range 5°C-18°C
- Electronic temperature control and LED display
- 2 Heaters raise internal temperature when external temperature drops
- UV/heat-free white LED lighting (switchable)
- 100% CFC/HFC free
- Stores max. Max. 109 Bordeaux style wine bottles 750ml:
 - 31 in upper compartment
 - 23 in display shelf
 - 55 in lower compartment
- Vibration free

Features

- One piece stainless steel door
- Fan circulated cool air for even temperature distribution
- Air ventilation through stainless steel plinth grille
- Quiet operation 45dB(A)
- Reversible door
- Door lock
- Upper zone has 2 sliding shelves and 1 display shelf
- Lower zone has 4 sliding shelves and 1 base shelf
- 2 humidity control water tanks
- Curved stainless steel handle
- Stainless steel fronted telescopic beech shelves
- Toughened UV protected glass door
- Black cabinet interior and exterior

Performance

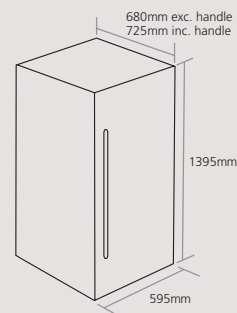
- Energy class D
- Energy consumption 290kWh/y
- Ambient temperature 5°C-32°C
- Humidity range >65%RH

Capacity

- 11.02 Cu ft/312 Litre total net capacity
- 12.18 Cu ft/345 Litre total gross capacity

Freestanding installation

- Can be moved from room to room as required
- Stainless steel plinth for air ventilation



WF333

Freestanding single zone wine cabinet

H 840mm

**Key Features**

No frost compressor cooling technology maintains a consistent temperature

Single temperature zone for red or white wine

Electronic temperature control and LED display

Temperature range 5°C-18°C

100% CFC/HFC free

Stores max. Max. 39 Bordeaux style wine bottles 750ml (6 bottles on top shelf, 12 bottles double stacked on middle two shelves and 9 bottles double stacked on bottom shelf)

Features

- One piece stainless steel door
- Top and side heat dispersion
- Quiet operation 43dB(A)
- Electronic temperature control
- Interior light
- Reversible door
- 1 Humidity control water tank
- 3 Full shelves and 1 half shelf
- Curved stainless steel handle
- Stainless steel fronted beech shelves
- Toughened UV protected glass door
- Black cabinet interior and exterior

Performance

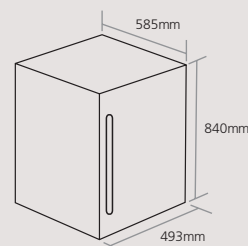
- Energy class B
- Energy consumption 152kWh/y
- Ambient temperature 5°C-32°C
- Humidity range >65%RH

Capacity

- 4.39 Cu ft/124 Litre total net capacity
- 4.87 Cu ft/138 Litre total gross capacity

Freestanding installation

Can be moved from room to room as required
Allow 120mm either side and above for ventilation





Appliance additions

Caple wine cabinets are just a part of our exclusive range of appliances. Complement your new wine cabinet with a hob, oven, microwave or extraction hood, we can give you the perfect partner.

Go to www.caple.co.uk for our whole range.

All our wine cabinets come with a two year parts and labour guarantee. We can extend this to a five year warranty for a small cost if you want extra peace of mind.

Extended warranty

Our extended warranty increases the protection on any Caple appliance to five years. It covers the full cost of repairs, including parts and labour, in the event of a breakdown. This extended warranty also protects against breakdown caused through fair wear and tear resulting from above average domestic use.

Extended warranty application forms are included with all appliances. For payments made by direct debit the premium can be spread over ten months. Guarantees are void if an appliance is used for commercial purposes.

Our scheme is backed by Domestic & General.

Note: The plan does not cover commercial use, cosmetic damage, failure to follow manufacturer's instructions, food loss and damage to any other property or possessions. Our extended warranty is not available in Southern Ireland.

After Sales Customer Support

Year 1-2 Caple – telephone **0117 938 7420**

Year 3-5 Domestic and General – telephone **0330 123 0998**

Issue: CWC0615

Every effort has been made to reproduce colours and materials accurately, however due to the photography and print processes, colour variations may occur.

Due to our continued product development policy, we reserve the right to modify product specifications and/or dimensions without notice.

Please contact your retailer, call Caple direct on 0117 938 1900, email info@caple.co.uk, or visit our website at www.caple.co.uk for further product information.

E & O E



Fourth Way
Avonmouth
Bristol
BS11 8DW

t : 0117 938 1900
f : 0800 373 163
e : sales@caple.co.uk
caple.co.uk

www.facebook.com/CapleUK  
www.twitter.com/caple

design.living

Issue: CWC0615

